

# INDU BAY GEN4



## Setting the benchmark in high-bay lighting

This latest generation of INDU BAY luminaires has been developed to offer the most efficient high-bay lighting solution on the market, without compromising on either the visual comfort or the safety of your employees.

More efficient, versatile, aimed at the requirements of specific industries (metal, automotive, food and beverage, etc.) and smart, it delivers the best solution for high-bay applications.

Available in two sizes, with various lumen packages, light distributions and mounting options, INDU BAY GEN4 adapts the lighting to meet the specific needs of your environment. Furthermore, these luminaires now offer a connectivity option for added energy savings throughout your entire lighting installation.

INDU BAY GEN4 maximises your investment by providing a comfortable environment for your staff while limiting energy consumption to what is absolutely necessary.

IP 66	IK 10	IK 08
	CE	



CAR PARKS



LARGE AREAS



INDUSTRIAL  
HALLS &  
WAREHOUSES



SPORT  
FACILITIES

## Concept

INDU BAY GEN4 is a LED high-bay luminaire designed for plant and facility managers looking for efficient lighting with a fast return on investment.

The INDU BAY GEN4 luminaires are made of painted die-cast aluminium. The protector (in glass or polycarbonate) is fixed to the housing (silicon-free sealing). INDU BAY GEN4 has been developed to withstand harsh environments and has a ball-throwing proof design, delivering high performance over time.

With INDU BAY GEN4, there is no longer any need to worry about mounting compatibility. It is delivered with both a hook for a suspension chain (not included) and a graduated fork for precise light adjustment.

The different light outputs of the INDU BAY GEN4 luminaires make them perfect for multiple indoor and outdoor lighting applications. They can be delivered with circular and wide photometries, as well as various lighting distributions.

INDU BAY GEN4 is a connected-ready luminaire that can be equipped with a Zhaga socket. This option enables the lighting to be precisely dimmed and adapted to the exact needs of any situation and time of the day. Equipped with a Zhaga socket, INDU BAY GEN4 optimises your lighting within your facility and helps to reduce your energy consumption. INDU BAY GEN4 can be equipped with a settable driver, enabling the installer to adjust the lighting output on site with a simple button to switch between 100W, 80W or 60W.



INDU BAY GEN4 offers the highest efficiency on the market, allowing profitable savings without compromising on safety and comfort.



This high-bay luminaire provides a robust, ball-throwing proof lighting solution optimised for indoor sport and harsh industrial environments.

## TYPES OF APPLICATION

- CAR PARKS
- LARGE AREAS
- INDUSTRIAL HALLS & WAREHOUSES
- SPORT FACILITIES

## KEY ADVANTAGES

- High energy savings compared to systems with traditional discharge lamps
- Connected-ready
- Versatile mounting options
- High visual comfort
- No hazardous materials
- Fast ROI thanks to long life span and reduced maintenance
- High efficiency with low operating costs
- Onsite lighting adjustment via driver's integrated DIP switch

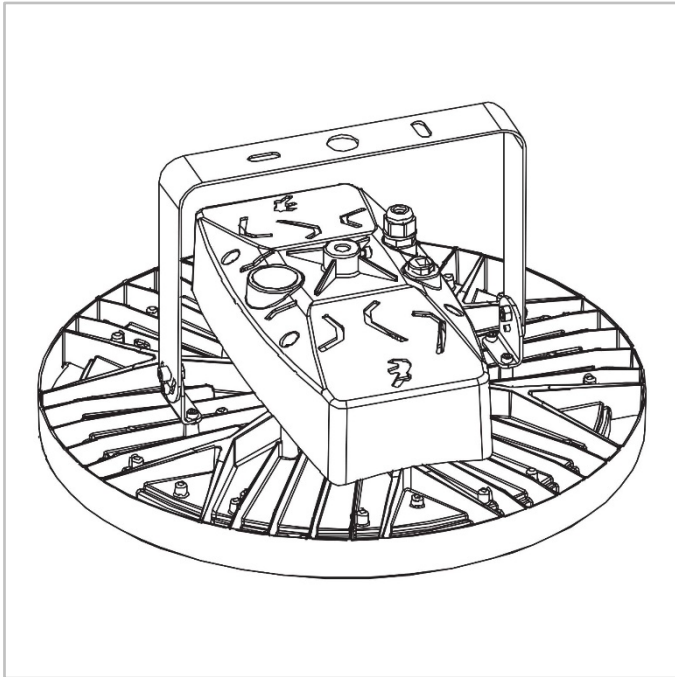


INDU BAY GEN4 is a connected-ready luminaire that can be equipped with a Zhaga socket.

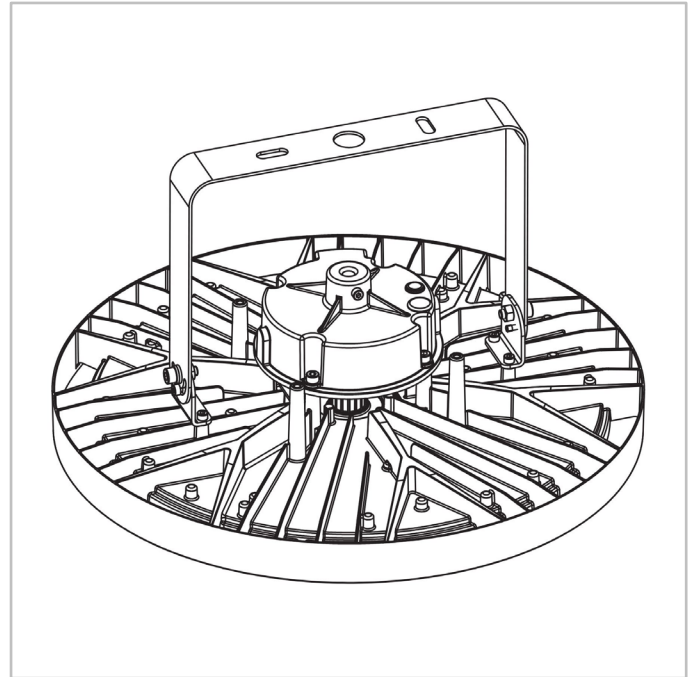


INDU BAY GEN4 is delivered with a graduated U-bracket for precise on-site adjustment to adapt the lighting to any kind of requirement.

INDU BAY GEN4 | Isolated (DALI dimmable)



INDU BAY GEN4 | Non-isolated (0-10V dimmable and power adjustment via driver DIP-switch)





## PIR sensor: motion detection

In places with little nocturnal activity, lighting can be dimmed to a minimum most of the time. By using passive infrared (PIR) sensors, the level of light can be raised as soon as a pedestrian or a slow vehicle is detected in the area.

Each luminaire level can be configured individually with several parameters such as minimum and maximum light output, delay period and ON/OFF duration time. PIR sensors can be used in an autonomous or interoperable network.



## GENERAL INFORMATION

Recommended installation height	6m to 15m   20' to 49'
Circle Light label	Score between 60 and 90 - The product meets most of circular economy requirements
CE mark	Yes
CB mark	Yes
ENEC certified	Yes
ROHS compliant	Yes
TUV ball throwing compliant	Yes
D-mark	Yes
RCM mark	Yes
Testing standard	EN 60598-1 EN 60598-2-1 IEC TR 62778 EN 60598-2-24:2013 IEC 62262:2002 IEC 62493

## HOUSING AND FINISH

Housing	Aluminium
Optic	Polycarbonate
Protector	Tempered glass Polycarbonate (with integrated lenses)
Housing finish	Polyester powder coating
Standard colour(s)	RAL 7040 window grey
Tightness level	IP 66
Impact resistance	IK 08, IK 10

## OPERATING CONDITIONS

Operating temperature range (Ta)	-30°C up to +50°C / -22°F up to 122°F
----------------------------------	---------------------------------------

· Depending on the luminaire configuration. For more details, please contact us.

## ELECTRICAL INFORMATION

Electrical class	Class I EU
Nominal voltage	220-240V – 50-60Hz 120-277V – 50-60Hz
Electromagnetic compatibility (EMC)	EN 55015 / EN 61000-3-2 / EN 61000-3-3 / EN 61547
Control protocol(s)	1-10V, DALI
Control options	Remote management
Socket	Zhaga (optional)
Associated control system(s)	Schröder ITERRA
Sensor	Motion sensor (optional)

## OPTICAL INFORMATION

LED colour temperature	400K (Neutral White NW 840) 4000K (Neutral White NW 940) 5700K (Cool White CW 857)
Colour rendering index (CRI)	>80 (Neutral White NW 840) >90 (Neutral White NW 940) >80 (Cool White CW 857)

· Other colour temperatures available as an option. Please contact us for further information.

## LIFETIME OF THE LEDS @ TQ 25°C

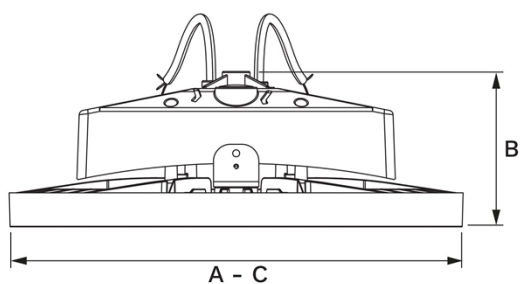
All configurations	120.000h - L76
--------------------	----------------

· Lifetime may be different according to the size/configurations. Please consult us.

## DIMENSIONS AND MOUNTING

AxBxC (mm   inch)	INDU BAY GEN4 1 : 320x135x320   12.6x5.3x12.6 INDU BAY GEN4 2 : 400x137x400   15.7x5.4x15.7
Weight (kg   lbs)	INDU BAY GEN4 1 : 2.6-3.0   5.7-6.6 INDU BAY GEN4 2 : 3.9-4.6   8.6-10.1
Aerodynamic resistance (CxS)	INDU BAY GEN4 1 : 0.10 INDU BAY GEN4 2 : 0.15
Mounting possibilities	Hook(s) for suspension Bracket enabling adjustable inclination

· For more information about mounting possibilities, please consult the installation sheet.



INDU BAY GEN4 | Hook for suspension chain



INDU BAY GEN4 | Orientable U-bracket





Number of LEDs	Luminaire output flux (lm)						Power consumption (W)		Luminaire efficacy (lm/W)
	Neutral White NW 840		Neutral White NW 940		Cool White CW 857		Min	Max	
	Min	Max	Min	Max	Min	Max			Min
364	10200	18100	9000	16000	10200	18100	59	98	185
384	13100	17800	11600	15800	13100	17800	76	98	182

Tolerance on LED flux is  $\pm 7\%$  and on total luminaire power  $\pm 5\%$

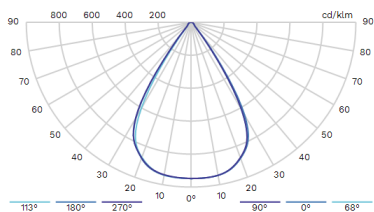


Number of LEDs	Luminaire output flux (lm)						Power consumption (W)		Luminaire efficacy (lm/W)
	Neutral White NW 840		Neutral White NW 940		Cool White CW 857		Min	Max	
	Min	Max	Min	Max	Min	Max			Min
500	25200	26700	22400	23600	25200	26700	142	142	188
676	20800	36800	18500	32600	20800	36800	117	195	189

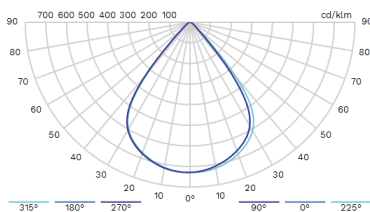
Tolerance on LED flux is  $\pm 7\%$  and on total luminaire power  $\pm 5\%$



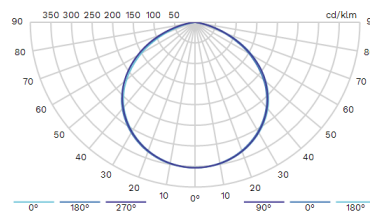
7094



7095



7096



7097

