

Abbey



A timeless design icon.

A design developed from the original gas lanterns, the Abbey proves a timeless addition across the country.

With options including suspended, frogs type and embellishments you can customise the Abbey to match your local style.

If custom features are required our local development teams can assist with design and manufacture of unique luminaires.

Key advantages

- Unique aesthetic designs integrate into local towns, maintaining ambiance and identity
- Low energy consumption, paired with long term performance
- Mounting solutions can be tailored to your project with a wide range of columns and brackets available
- Customise your design by choosing bowls or adding embellishments to further align with your local identity



URBAN & RESIDENTIAL STREETS



BIKE & PEDESTRIAN PATHS



SQUARES & PEDESTRIAN AREAS



CAR PARKS



BRIDGES



RAILWAY STATIONS & METROS

GENERAL INFORMATION

Recommended installation height	5m to 8m
Driver included	Yes
CE mark	Yes
ENEC certified	No
ROHS compliant	Yes
Testing standards	LM 79-08 (all measurements in ISO17025 accredited laboratory)

HOUSING AND FINISH

Housing	Aluminium
Optic	PMMA
Protector	Polycarbonate
Housing finish	Polyester powder coating
Standard Colour	RAL9005 (Black) (Any RAL colour on request)
Tightness level	Optic - IP 66 Gear - IP 44
Impact resistance	IK 08

OPERATING CONDITIONS

Operating temperature range (Ta)	-40°C to +55 °C @350mA
----------------------------------	------------------------

ELECTRICAL INFORMATION

Electrical class	Class I EU
Nominal voltage	220-240V - 50-60Hz
Surge protection options (kV)	10
Electromagnetic compatibility (EMC)	EN 61547 / EN 61000-4-2, -3, -4, -5, -6, -8, -11
Control protocol(s)	DALI
Control options	Custom dimming profile, Photocell, Remote management
Socket options	NEMA 7-pin (optional)
Associated control systems	Owlet IoT

OPTICAL INFORMATION

LED colour temperature	3000k (Warm White 730) 4000k (Neutral White 740)
Colour rendering index (CRI)	>70 (Warm White 730) >70 (Neutral White 740)
Upward light output ratio (ULOR)	TBC

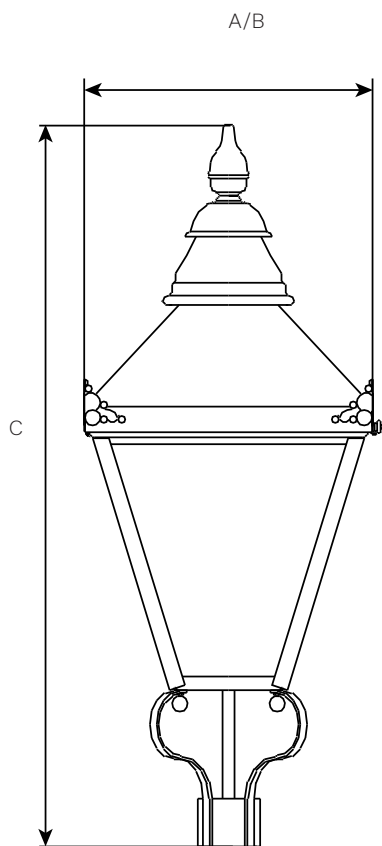
LIFETIME OF THE LEDS @ TQ 25°C

All configurations	TBC
--------------------	-----

DIMENSIONS AND MOUNTING

AxBxC (mm)	Abbey with Cast Frog - 461x461x989 Abbey with Fabricated Frog - 461x461x1150
Weight (kg)	11.2
Mounting possibilities	Post top 76mm

Abbey with Fabricated Frog



Abbey with Cast Frog

